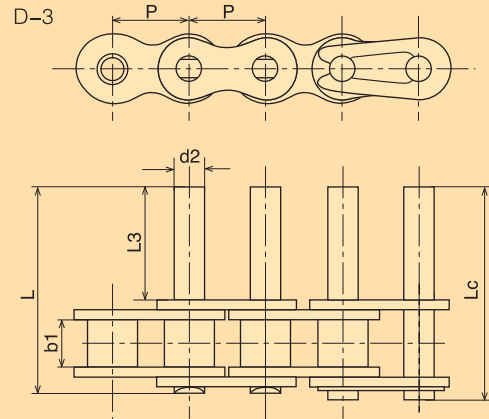
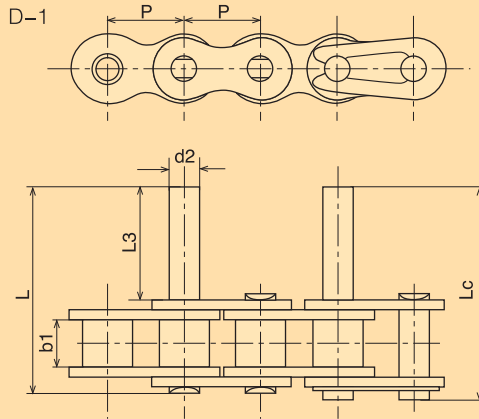


1 短节距加长销输送链

Short Pitch Conveyor Chains With Extended Pins



DIN/ISO 链号 DIN/ISO Chain No.	ANSI 链号 ANSI Chain No.	P	b1	d2	L3	L	Lc
		mm	mm	mm	mm	mm	mm
06C	35	9.525	4.77	3.58	9.5	20.8	21.6
08A	40	12.700	7.85	3.96	9.5	25.1	26.2
10A	50	15.875	9.40	5.08	11.9	31.3	33.1
12A	60	19.050	12.57	5.94	14.3	38.6	40.6
16A	80	25.400	15.75	7.92	19.1	50.3	53.3
20A	100	31.750	18.90	9.53	23.8	61.8	66.1
24A	120	38.100	25.22	11.10	28.6	76.4	80.4
28A	140	44.450	25.22	12.70	33.3	84.8	89.4
32A	160	50.800	31.55	14.27	38.1	99.6	104.4
08B	-	12.700	7.75	4.45	9.5	25.1	26.6
10B	-	15.875	9.65	5.08	11.9	30.1	31.5
12B	-	19.050	11.68	5.72	14.3	35.4	37.1
16B	-	25.400	17.02	8.28	19.1	53.0	54.3